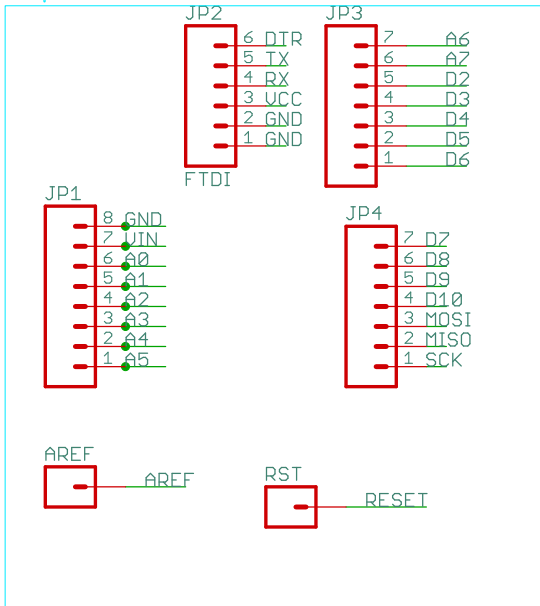


ExtraCore-MD (Arduino Compatible), by Modern Device
 based on design by Dustin Andrews

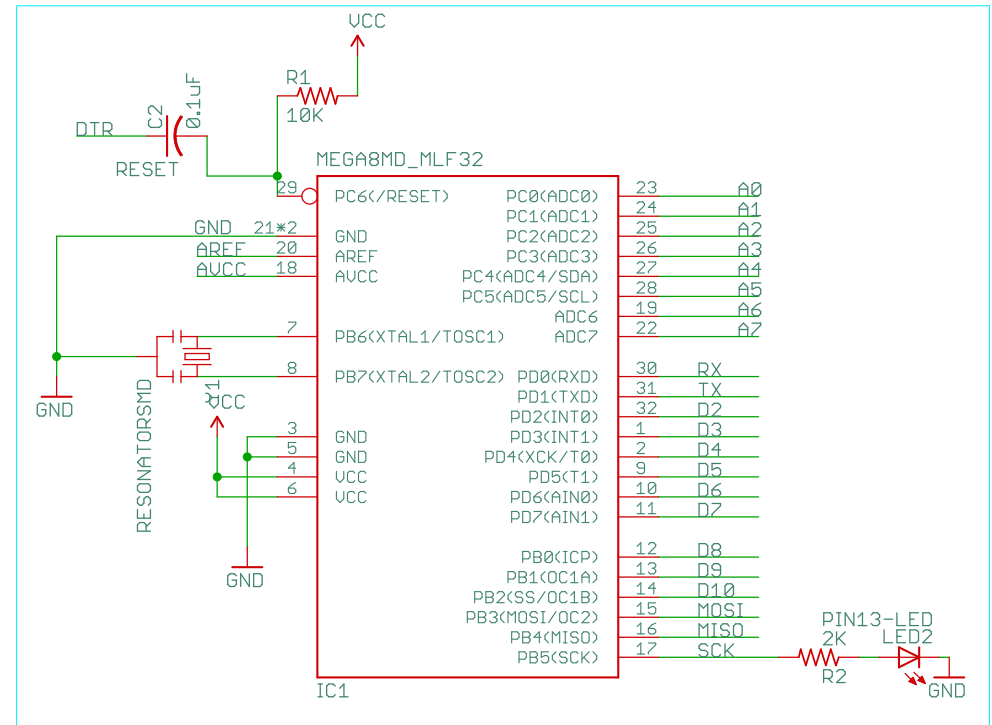
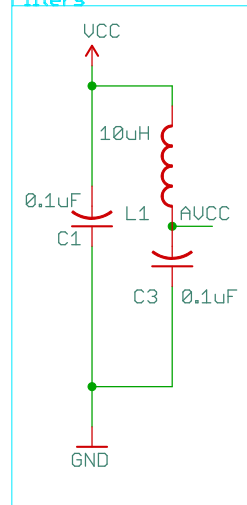
Original design URL: <http://bit.ly/q5BH2r>

License: Creative Common Attribution Unported 3.0
<http://creativecommons.org/licenses/by/3.0/>

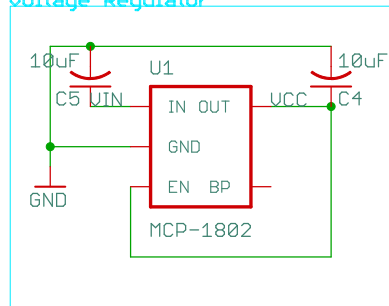
Jumpers



Filters



Voltage Regulator



ExtraCore_MD

<http://moderndevice.com/extracore>

by Nadya B.

ExtraCore-rev2v03

27/07/2015 11:12

Sheet: 1/1